

EVOLUTION BALLAST MOULDING

PLEASE NOTE:

FOR MAXIMUM STABILITY PLEASE ENSURE THAT THE BIN IS ONLY LOCATED ON SMOOTH LEVEL GROUND.

ASSEMBLY INSTRUCTIONS

IMPORTANT NOTE:

Glasdon would recommend that a risk assessment be carried out regarding the manual handling of the Evolution Ballast Moulding prior to assembly.

The weight of the ballast moulding is 32kg and the bin is 17.4kg (combined weight of 49.4kg). Therefore we would recommend that at least two people are used when handling this product, however individual health, safety, and manual handling guidelines should be adhered to.

TOOLS REQUIRED:

1 X 6 mm Allen Key

KIT CONTENTS:

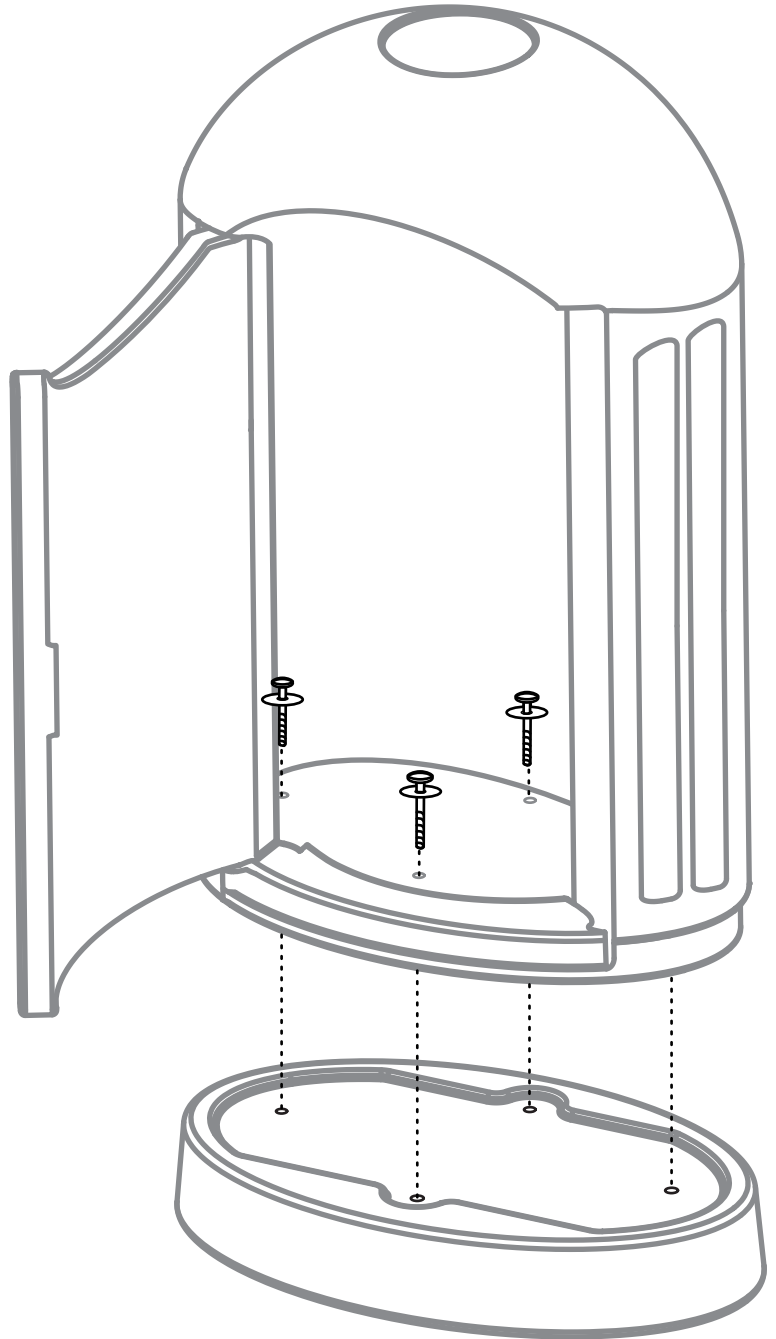
1 X Evolution Ballast Moulding
4 X Screw M10
4 X Washer M10

STEP 1:

Insert bolts and washers through the 4 fixing holes in the base of the bin and through into the 4 holes in the Ballast Moulding.

STEP 2:

Fasten the bolts on into the threaded holes of the Ballast Moulding using a 6mm Allen Key.



AND EVOLUTION ARE TRADEMARKS OF GLASDON GROUP OR ITS SUBSIDIARIES IN THE U.K AND OTHER COUNTRIES

- A planned maintenance schedule of regular inspection is recommended, replacing components as necessary.
- GLASDON UK LTD cannot be held responsible for claims arising from incorrect installation, unauthorised modifications or misuse of the product.

Issue 1 OCTOBER 2009 C000/0349

© Copyright 2009

Glasdon UK Ltd reserve the right to alter specifications without prior notice.



Glasdon

Glasdon U.K Limited

Preston New Road
BLACKPOOL

Lancashire FY4 4UL

Tel: 01253 600410

Fax: 01253 792558

email: sales@glasdon-uk.co.uk

web: www.glasdon.com